



InspirAIR® COMPACT E80-HRX-N Energy Recovery Ventilator

PRODUCT
SPECIFICATIONS
& TECHNICAL
DATA



PRODUCT DESCRIPTION

The E80-HRX is the energy efficient, balanced in-suite ventilation solution that is ideal for multi-unit residential buildings. It delivers ENERGY STAR® qualified performance and a latent transfer of over 65% in a compact, easy-to-install package that is only 9 inches (230 mm) in height. Easily concealed in a drop-ceiling or soffit, the E80-HRX has been thoughtfully engineered for apartments, condominiums, and other dwellings. Exclusive free cooling economizer mode reduces the need for air conditioning in the spring and fall.

The E80-HRX exchanges **89 CFM** of air at 0.2 in.w.g (ESP), perfect for smaller dwellings in multi-unit residential buildings. The E80-HRX includes EC motors, Aldes' exclusive EvacMAX™ on-demand boost for maximum ventilation, and FLEXControl electronic calibration that eliminates the need for balancing dampers while maximizing overall efficiency.

KEY FEATURES

- No drain required with Aldes' high performance HLT crossflow ERV core technology
- Up to 73% sensible recovery efficiency, a great choice for LEED-certified buildings
- Free cooling economizer mode
- Hassle-free balancing using the balancing chart, pressure taps in the door, and the independently adjustable supply and exhaust blowers (FLEXControl)
- Pressure-neutral cold climate frost protection using warm recirculated air
- Unique compact door allows easy access to the washable MERV 6 filters

APPROVALS

Meets Standards:

- C22.2 no113 and UL 1812
- HVI Certified
- ENERGY STAR® (Canada)



CASING

Material: Pre-painted 24-gauge galvanized steel
Drain Connection: None
Duct Diameter: 5" (127 mm)
Insulation: 1" (25 mm)
Width: 22" (559 mm)
Height: 9" (230 mm)
Depth: 27" (686 mm)
Weight: 43 lbs (19.5 kg); Shipping Weight: 48 lbs (22 kg)
Supply Damper: Motorized

MOUNTING

- Suspended above the ceiling by chains with vibration-isolating springs (included)
- Optional ceiling mount kit available for quick installation (P# 609419)

RECOVERY CORE

High-Latent-Transfer (HLT) fixed plate enthalpic core by Aldes

BLOWERS

Quantity: 2
Type: Two backward-inclined motorized impeller, direct-drive, EC motors, variable speed, external rotor

ELECTRICAL REQUIREMENTS

120 VAC, 60 Hz, 1.46 A, 87 W (MAX)
Hard-wired

CONTROLS

Low voltage (24 VAC) for:

- Digital Multifunction Control (P/N: 611242-FC)
- Humidity Control (P/N: 611224)
- Speed Control (P/N: 611229)
- 20/40/60 Minute Timer (P/N: 611228)
- External dry contact interlock for forced air heating/cooling system

FROST CONTROL

- Automatic timed recirculation
- Cycles controlled by a temperature sensor when the outdoor temperature drops below 18°F (-8°C)

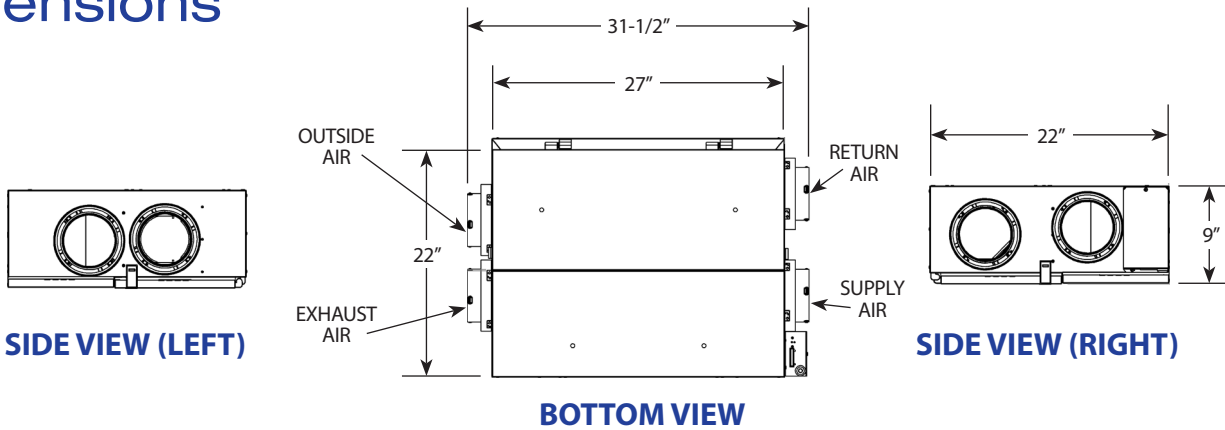
FILTERS

Quantity: 2
Type: MERV 6 (Two replacement filters, P/N: 612415)

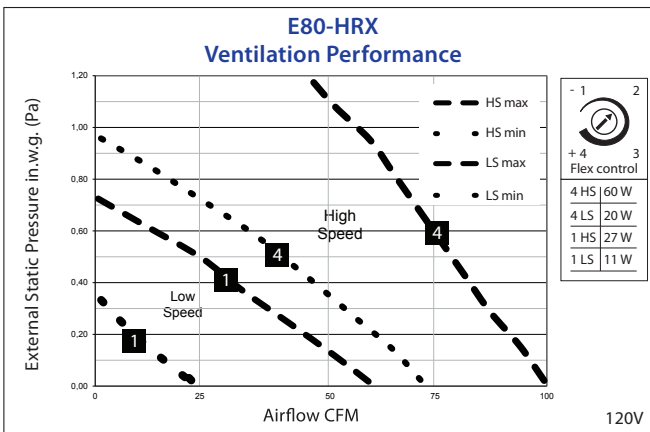
WARRANTY

Core Assembly: Limited 5-year warranty
All Other Covered Components: Limited 5-year warranty

Dimensions



Performance



Supply Temperature		Net Airflow		Power Consumed (W)	Sensible Recovery Efficiency	Adjusted Sensible Recovery Efficiency	Latent Transfer
°F	°C	CFM	L/s				
Heating							
32	0	50	24	22	73%	81%	63%
32	0	64	30	32	70%	79%	60%
32	0	81	38	46	68%	77%	56%
-13	-25	54	25	35	62%	78%	64%
Cooling						Total Recovery Efficiency	Adjusted Total Recovery Efficiency
95	35	50	24	22	65%	74%	58%



Free Cooling Specifications - E80-HRX				
Bypass Damper	Temperature In		Temperature Out	
	°F	°C	°F	°C
Open - Starts Free Cooling	>72°	>22°	>55° OR <66°	>13° OR <19°
Close - Starts Heat Recovery	<72°	<22°	<55° OR >66°	<13° OR >19°

Project:		Architect:	
Location:		Engineer:	
Model #:		Contractor:	
Quantity:		Comments:	
Submitted By:			
Date:			

© 2019 American ALDES Ventilation Corporation. Reproduction or distribution, in whole or in part, of this document, in any form or by any means, without the express written consent of American ALDES Ventilation Corporation, is strictly prohibited. The information contained within this document is subject to change without prior written notice.