



# STANDARD RESIDENTIAL E150-TRG Energy Recovery Ventilator

PRODUCT  
SPECIFICATIONS  
& TECHNICAL  
DATA



## PRODUCT DESCRIPTION

Compact size, large performance – the E150-TRG energy recovery ventilator produces approximately **120 CFM** at 0.20 in.w.g (ESP) and recovers sensible and latent heat through its high-latent-transfer membrane core. The E150-TRG has been thoughtfully engineered for simple installation in apartments, condos, and small houses. The removable collars are top-mounted, which makes the unit both narrow and shallow enough to fit inside standard closets and other tight spaces.

The E150-TRG has two exclusive features. EvacMAX™ provides on-demand boost for maximum ventilation. With FLEXControl, airflow circuits can be calibrated electronically, eliminating the need for resistance-inducing balancing dampers and improving overall efficiency.

## KEY FEATURES

- Damage-free packaging protects the unit in transit and makes it easy to remove it from the carton without damaging the collars
- Electronically and independently adjustable supply and exhaust blowers (FLEXControl)
- Gauge ports on the door for fast and reliable airflow readings
- Twist-in collars for easy flex-duct attachment
- Non-dust-loading backward-inclined impellers on totally enclosed motors
- Snap-out motor decks
- Easy access to core and filters for cleaning
- Extremely durable core
- Standard MERV 6 filters
- Multiple low-voltage controller options
- Recirculating defrost collar snaps into pre-punched area of cabinet for ducting flexibility

## CASING

Material: Pre-painted 24-gauge galvanized steel  
Duct Connections: Ø 5" (Ø 127 mm)  
Insulation: Molded EPS  
Width: 23-1/8" (587 mm)  
Height: 16-3/4" (425 mm)  
Depth: 12-3/8" (314 mm)  
Weight: 32 lbs (15 kg); Shipping Weight: 40 lbs (18 kg)  
Supply Damper: Motorized

## MOUNTING

- Suspended by chains with vibration-isolating springs
- Wall-mounting accessory available (P/N: 608575)

## RECOVERY CORE

Material: High-Latent-Transfer Enthalpy

## BLOWERS

Quantity: 2  
Type: Motorized impellers (backward-inclined)

## ELECTRICAL REQUIREMENTS

120 VAC, 60 Hz, 1.3 A, 156 W  
Cord Set: 48" (1219 mm) with ground

## CONTROLS

Low voltage dry contact (24 VAC) for:

- Fan interlock (NO and NC)
- Digital Multifunction Control (P/N: 611242)

Low voltage (24 VAC) for:

- Mode Control (Recirculation) (P/N: 611230)
- Humidity Control (P/N: 611224)
- Speed Control (Low/Intermittent/High) (P/N: 611229)
- 20/40/60 Minute Timer (P/N: 611228)

## FROST CONTROL

- Automatic timed recirculation, fifth port
- Cycles controlled by a temperature sensor when the outdoor temperature drops below 14°F (-10°C)

## FILTERS

Quantity: 2  
Type: MERV 6 (P/N: 612409)

## WARRANTY

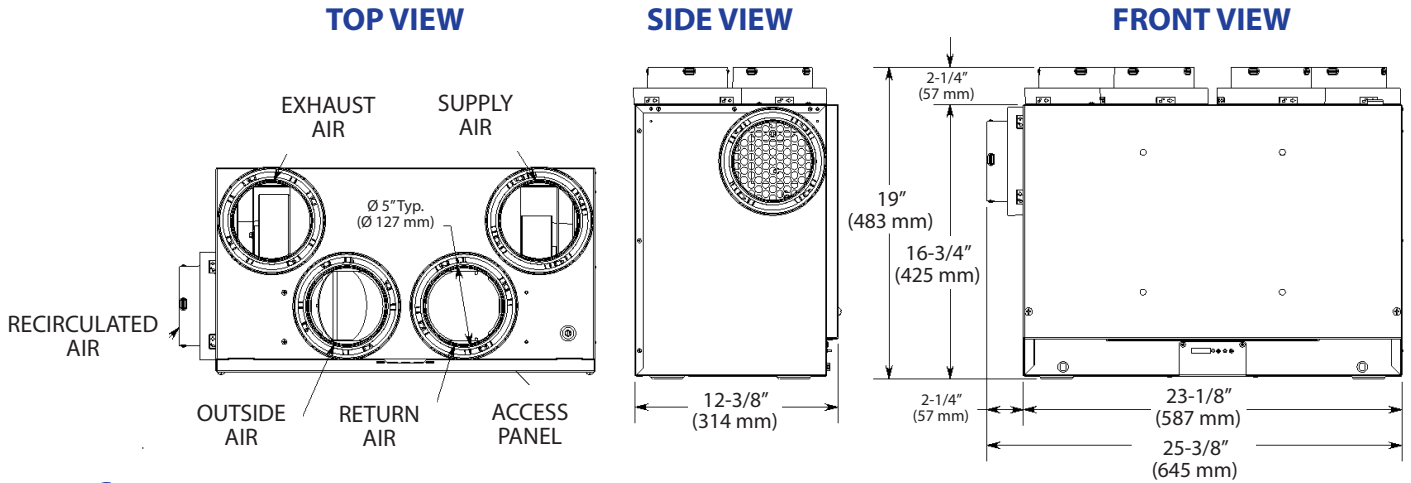
Core Assembly: Limited 5-year warranty  
All Other Covered Components: Limited 5-year warranty

## APPROVALS

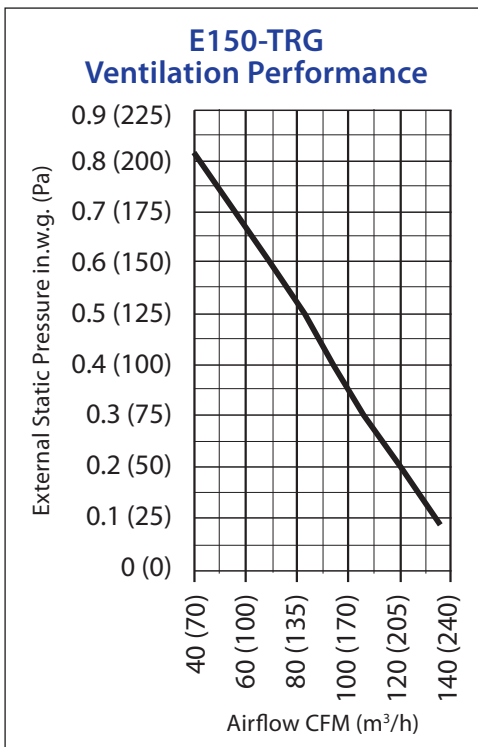
Meets Standards:  
• C22.2 no113 and UL 1812



# Dimensions



# Performance



## Recovery Performance

Outside Air Temperature		Net Airflow		Power Consumed (W)	Sensible Recovery Efficiency	Apparent Sensible Effectiveness	Latent Recovery/Moisture Transfer	Total Recovery Efficiency
°F	°C	CFM	L/s					
<b>Heating</b>								
32	0	54	26	46	71%	81%	61%	--
32	0	65	31	50	68%	75%	56%	--
32	0	106	50	92	62%	70%	49%	--
-13	-25	50	23	65	61%	78%	56%	--
<b>Cooling</b>								
95	35	51	24	46	--	--	--	54%

Project:		Architect:	
Location:		Engineer:	
Model #:		Contractor:	
Quantity:		Comments:	
Submitted By:			
Date:			

© 2016 American ALDES Ventilation Corporation. Reproduction or distribution, in whole or in part, of this document, in any form or by any means, without the express written consent of American ALDES Ventilation Corporation, is strictly prohibited. The information contained within this document is subject to change without prior written notice.