



E280-SRG

Energy Recovery Ventilator

PRODUCT
SPECIFICATIONS
& TECHNICAL
DATA



PRODUCT DESCRIPTION

The E280-SRG Energy Recovery Ventilator provides high-efficiency energy recovery in a compact, affordable package. The unit uses a robust, high-latent transfer membrane core that can withstand a wide range of environmental conditions. The E280-SRG can exchange up to **269 CFM** at 0.20 in.w.g. (ESP), making it ideal for larger homes or light commercial applications.

KEY FEATURES

- Electronically and independently adjustable supply and exhaust blowers (FLEXControl)
- Gauge ports on the door for fast and reliable airflow readings
- Non-dust-loading backward-inclined impellers on totally enclosed motors
- Twist-in collars for easy flex-duct attachment
- Easy access to core and filters for cleaning
- Durable High Latent enthalpy core has exceptional moisture transfer for increased comfort and no drain is required.
- Recirculating defrost protects the core from freezing without causing negative pressure in the building.

PLATE EXCHANGER

Standard: High Latent Transfer
(Sensible and latent heat transfer)

CASING

Material: Pre-painted 24-gauge galvanized steel
Insulation: 1" (25 mm)
Drain Connection: Ø 3/8" (Ø 10 mm)
Duct Connection: Ø 6" (Ø 127 mm)
Width: 31" (787 mm)
Height: 21-3/4" (552 mm)
Depth: 17-1/16" (433 mm)
Unit Weight: 62 lbs (28 kg)
Shipping Weight: 71 lbs (32 kg)

MOUNTING

Suspended by chains with vibration-isolating springs

BLOWERS

Quantity: 2
Type: Backward-inclined motorized impeller, direct-drive PSC, variable speed, external rotor

FILTERS

Number: 2
Type: Aluminum (P/N: 612266)
Optional: Carbon (P/N: 612264), or High Efficiency/MERV13 Equivalent (P/N: 612265)

ELECTRICAL REQUIREMENTS

120 VAC, 60 Hz, 2.89 A, 263 W
Cord Set: 48" (1219 mm) with ground

FROST CONTROL

Recirculation cycles controlled by a temperature sensor when outdoor temperatures fall below 14°F (-10°C).

CONTROLS

Low-voltage (24 VAC) for:

- Digital Multifunction Control (P/N: 611242)
- Mode Control (P/N: 611230)
- Humidity Control (P/N: 611224)
- Speed Control (Low/Intermittent/High) (P/N: 611229)
- 20/40/60 Minute Timer (P/N: 611228)

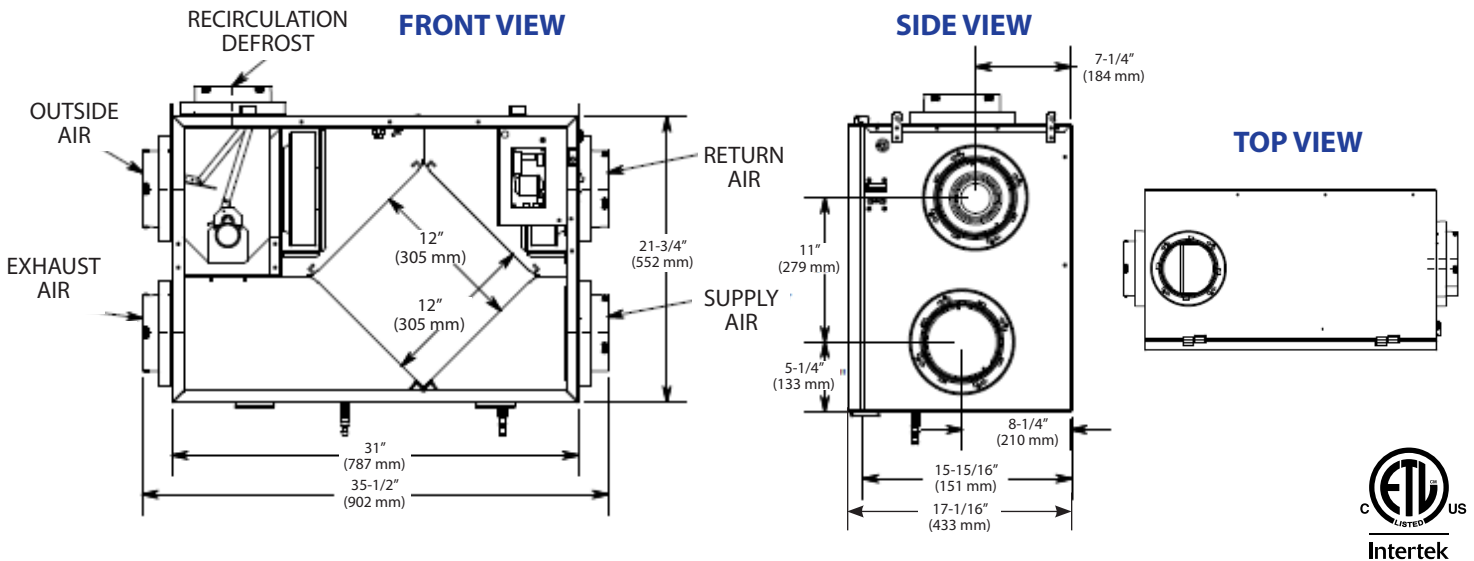
APPROVALS

Meets Standards:

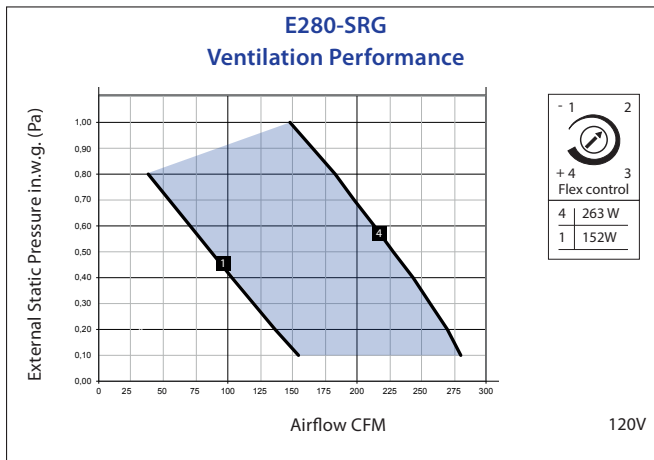
- C22.2 no113 and UL 1812
- ENERGY STAR® qualified (Canada)



Dimensions



Performance



Outside Air Temperature		Net Airflow		Power Consumed (W)	Sensible Recovery Efficiency	Adjusted Sensible Recovery Efficiency	Latent Recovery
°F	°C	CFM	L/s				
Heating							
32	0	64	30	84	77%	86%	0.73
32	0	81	38	94	76%	84%	0.69
32	0	121	57	146	72%	80%	0.60
-13	-25	67	31	107	70%	75%	0.68
Cooling					TOTAL REC. EFF.	A. TOTAL R.E.	
95	35	94	38	94	57%	62%	N/A

Project:		Architect:	
Location:		Engineer:	
Model #:		Contractor:	
Quantity:		Comments:	
Submitted By:			
Date:			

© 2018 American ALDES Ventilation Corporation. Reproduction or distribution, in whole or in part, of this document, in any form or by any means, without the express written consent of American ALDES Ventilation Corporation, is strictly prohibited. The information contained within this document is subject to change without prior written notice.