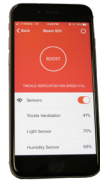




FANS  
**Pax Norte®**  
 Fully Automatic Smart Fan

PRODUCT  
 SPECIFICATIONS  
 & TECHNICAL  
 DATA



Pax Norte may be one of the most versatile fans ever produced. And, as with all Pax products, every single fan has undergone stringent quality and safety tests. This is why we provide a **5-year warranty** on your Pax Norte.

**WHAT YOU GET WITH AN ALDES PAX NORTE®**

1. Fully automatic fan, ready to use
2. Choose between 5 preset profiles and have the opportunity for more settings and adjustments via the Pax app.
3. Easy to install and use.
4. Very quiet 17-20dB @10 Ft.
5. Effective, 65 CFM free blowing
6. Energy-saving, maximum 4 W
7. Boost function
8. Separate 12 V input
9. Safe and secure. Each fan is thoroughly tested and UL listed.

**GENERAL**

The Pax Norte from American Aldes is a fully automatic bathroom fan and comes ready to work in silence. It should be easy to install a bathroom fan, and with Pax Norte, it couldn't be easier. Take it out of the box, connect it, and Pax is ready to start work.

**FEATURES**

The fan's basic setting is for continuous operation at low speed with moisture and light sensors activated. This ensures constant healthy air circulation and a better indoor climate throughout the house. Pax Norte is extremely quiet and, of course, it's approved for use in wet rooms.

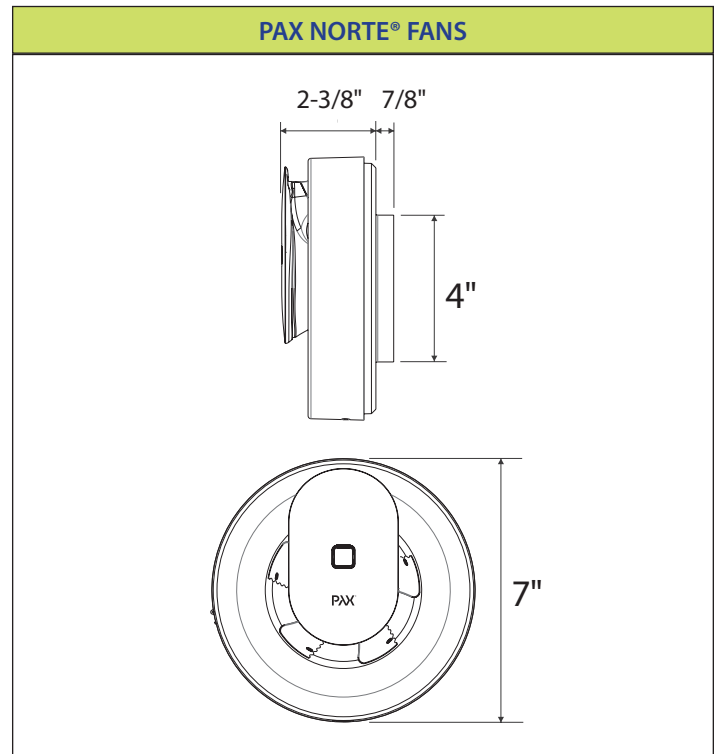
**TYPICAL APPLICATIONS:**

- Bathroom Exhaust
- Garage Ventilation
- Air Transfer Between Rooms
- Mobile Home Ventilation
- Boats and Motorhomes

**THE APP** allows you to select several functions and make adjustments. If you download Pax's intelligent app, you can unlock your Norte and have the opportunity to choose between 5 different preset modes, or profiles depending on your need of functionality.

**More adjustments and settings.** With the app you get a whole range of different functions such as a smart calendar function, which allows you to activate your Pax according to which day it is, or boost mode, airing function, constant flow, or the option to simply use the fan as a heat distributor.

**Innovation in every detail.** Pax Norte was developed and manufactured in Sweden, and we've taken an uncompromising approach to materials, the environment, and quality. Pax is full of state-of-the-art control technology, offers minimum energy consumption, and is very easy to clean.



# Performance & Dimensions

### Requirements for app functions:

Apple devices with IOS 7 or devices with Android OS 4.3 with support for Bluetooth 4.

### Default setting; continous operation, or select profile through the Pax app.

### 5 preset profiles can be selected via the app:

1. Norte Auto(*Continuous basic ventilation*)
2. Norte humidity-controlled  
*(Can be combined with backdraft damper)*
3. Norte switch-operated, with run-on time  
*(Can be combined with backdraft damper)*
4. Norte switch-operated on/off  
*(Can be combined with backdraft damper)*
5. Norte heat distributor

### Adjustments/settings via app:

- Flow adjustments
- Calendar function
- Forced ventilation
- Run-on time
- Start delay
- Luminous sensitivity
- Moisture sensitivity



Unpack and install, turn on, ready to use!

RH%	<b>Functions</b> Fully automatic. Three speed modes and a boost mode:	<b>Location</b> Installed with own separate duct 4-6 inches.
Light	- Low speed (basic flow/basic ventilation).	Multi-pole switch: Integrated for 100-240 V AC wiring.
Timer	- Medium speed (run-on via light sensor).	
Speed 1, 2, 3	- High speed (activated via humidity sensor or started manually via switch).	
Bluetooth	- Boost mode, programmed or activated via app	
Heat transfer		

Model	Pax Norte®
Part number	1560-1
All-pole cut-out	Yes
Capacity, free blowing CFM	65CFM
Capacity, free blowing [l/s]	30
Max. pressure in. H2O	0.1 in. H <sub>2</sub> O
Power consumption [W]	4W
Sound pressure level [dB(A) 3 m], min. speed	17-20 dB(A) 3 m
Voltage/Frequency	100-240 VAC / or 12V DC
Motor type, all mounted in ball bearings	DC
Bluetooth	BTLE4
IP code	IP44
Insulation class	Class II (does not require earth protection)
Certificate	S - Intertek
Other markings	UL
Duct dimension	4"-6"
Temperature range	41°-95°F
Unit weight (lb)	1.0



PAX Backdraft Damper **Optional**  
Part No. 89 553



PAX Wall Duct Kit **Optional**  
Part No. 89 555

## WARRANTY

*The entire unit is guaranteed for (5) years, from the date of shipment, against all manufacturing defects, provided the material has been installed and operated per manufacturer's instructions and under normal conditions. Warranty is limited to the repair or replacement of the material upon its return freight paid to our factory. This warranty is not transferable and is limited to the original end user.*

© 2018 American ALDES Ventilation Corporation. Reproduction or distribution, in whole or in part, of this document, in any form or by any means, without the express written consent of American ALDES Ventilation Corporation, is strictly prohibited. The information contained within this document is subject to change without prior written notice.