



# H280-SRG

## Heat Recovery Ventilator

PRODUCT  
SPECIFICATIONS  
& TECHNICAL  
DATA



### PRODUCT DESCRIPTION

The H280-SRG Heat Recovery Ventilator provides high-efficiency heat recovery in a compact, affordable package. The unit uses a robust, water-washable polypropylene core that can withstand a wide range of environmental conditions. The H280-SRG can exchange up to **284 CFM** at 0.20 in.w.g (ESP), making it ideal for larger homes or light commercial applications.

### KEY FEATURES

- Electronically and independently adjustable supply and exhaust blowers (FLEXControl)
- Gauge ports on the door for fast and reliable airflow readings
- Non-dust-loading backward-inclined impellers on totally enclosed motors
- Twist-in collars for easy flex-duct attachment
- Easy access to core and filters for cleaning
- Extremely durable polypropylene core.
- Recirculating defrost protects the core from freezing without causing negative pressure in the building

### PLATE EXCHANGER

Standard: Polypropylene  
(Sensible heat transfer)

### CASING

Material: Pre-painted 24-gauge galvanized steel  
Insulation: 1" (25 mm)  
Drain Connection: Ø 3/8" (Ø 10 mm)  
Duct Connection: Ø 6" (Ø 127 mm)  
Width: 31" (787 mm)  
Height: 21-3/4" (552 mm)  
Depth: 17-1/16" (433 mm)  
Unit Weight: 62 lbs (28 kg)  
Shipping Weight: 71 lbs (32 kg)

### MOUNTING

Suspended by chains with vibration-isolating springs

### BLOWERS

Quantity: 2  
Type: Backward-inclined motorized impeller, direct-drive PSC, variable speed, external rotor

### FILTERS

Number: 2  
Type: Aluminum (P/N: 612266)  
Optional: Carbon (P/N: 612264), or High Efficiency/MERV13 Equivalent (P/N: 612265)

### ELECTRICAL REQUIREMENTS

120 VAC, 60 Hz, 2.89 A, 263 W  
Cord Set: 48" (1219 mm) with ground

### FROST CONTROL

Recirculation cycles controlled by a temperature sensor when outdoor temperatures fall below 23°F (-10°C).

### CONTROLS

Low-voltage (24 VAC) for:

- Digital Multifunction Control (P/N: 611242)
- Mode Control (P/N: 611230)
- Humidity Control (P/N: 611224)
- Speed Control (Low/Intermittent/High) (P/N: 611229)
- 20/40/60 Minute Timer (P/N: 611228)

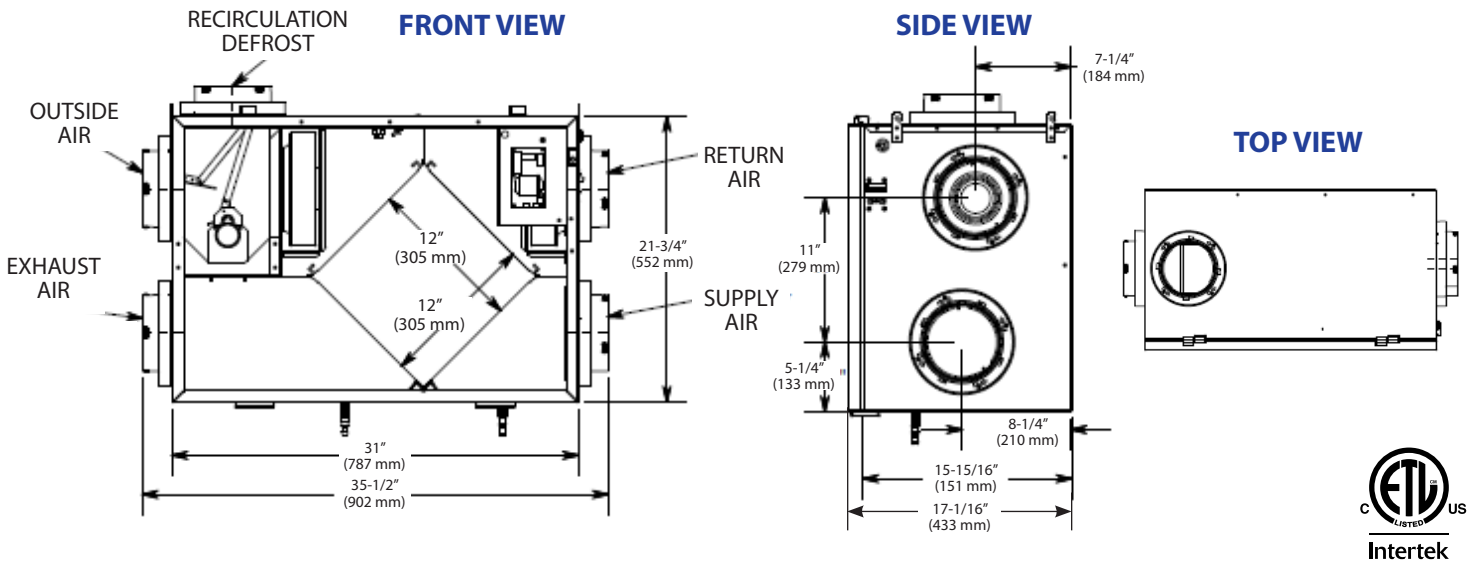
### APPROVALS

Meets Standards:

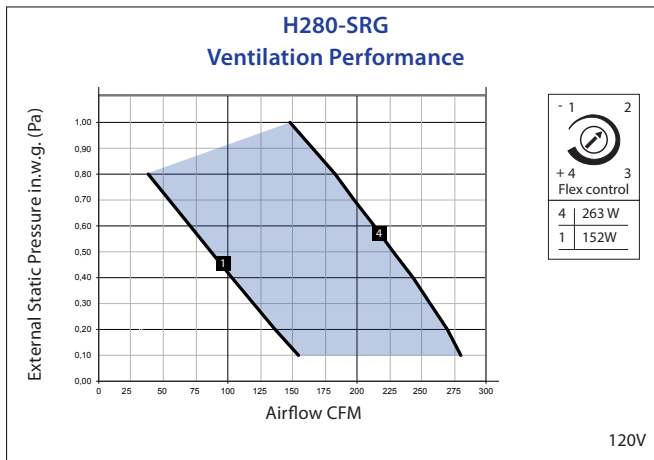
- C22.2 no113 and UL 1812
- ENERGY STAR® qualified (Canada)



# Dimensions



# Performance



Supply Temperature		Net Airflow		Power Consumed (W)	Sensible Recovery Efficiency	Adjusted Sensible Recovery Efficiency
°F	°C	CFM	L/s			
<b>Heating</b>						
32	0	64	30	80	75%	83%
32	0	78	38	88	72%	80%
32	0	117	55	134	66%	74%
-13	-25	68	32	105	65%	70%

<b>Project:</b>		<b>Architect:</b>	
<b>Location:</b>		<b>Engineer:</b>	
<b>Model #:</b>		<b>Contractor:</b>	
<b>Quantity:</b>		<b>Comments:</b>	
<b>Submitted By:</b>			
<b>Date:</b>			

© 2018 American ALDES Ventilation Corporation. Reproduction or distribution, in whole or in part, of this document, in any form or by any means, without the express written consent of American ALDES Ventilation Corporation, is strictly prohibited. The information contained within this document is subject to change without prior written notice.