



AEROMATIC™ SERIES STANDARD RESIDENTIAL H95-TRG Heat Recovery Ventilator

PRODUCT
SPECIFICATIONS
& TECHNICAL
DATA



PRODUCT DESCRIPTION

Compact size, large performance – the H95-TRG heat recovery ventilator produces approximately **106 CFM** at 0.20 in.w.g (ESP) and recovers heat through its high-efficiency polypropylene core. The H95-TRG has been thoughtfully engineered for simple installation in apartments, condos, and small houses. The removable collars are top-mounted, which makes the unit both narrow and shallow enough to fit inside standard closets and other tight spaces.

The H95-TRG has two exclusive features. EvacMAX™ provides on-demand boost for maximum ventilation. With FLEXControl, airflow circuits can be calibrated electronically, eliminating the need for resistance-inducing balancing dampers and improving overall efficiency.

KEY FEATURES

- ENERGY STAR® qualified (Canada)
- Damage-free packaging protects the unit in transit and makes it easy to remove it from the carton without damaging the collars
- Electronically and independently adjustable supply and exhaust blowers (FLEXControl)
- Gauge ports on the door for fast and reliable airflow readings
- Twist-in collars for easy flex-duct attachment
- Non-dust-loading backward-inclined impellers on totally enclosed motors
- Snap-out motor decks
- Easy access to core and filters for cleaning
- Extremely durable polypropylene core
- Standard MERV 6 Filters
- Multiple low-voltage controller options
- Recirculating defrost collar snaps into pre-punched area of cabinet for ducting flexibility

CASING

Material: Pre-painted 24-gauge galvanized steel
Drain Connection: Ø 3/8" (Ø 10 mm)
Duct Connections: Ø 5" (Ø 127 mm)
Insulation: Molded EPS
Width: 23-1/8" (587 mm)
Height: 16-3/4" (425 mm)
Depth: 12-3/8" (314 mm)
Weight: 30 lbs (13 kg); Shipping Weight: 38 lbs (17 kg)
Supply Damper: Motorized

MOUNTING

- Suspended by chains with vibration-isolating springs
- Wall-mounting accessory available (P/N: 608575)

RECOVERY CORE

Material: Polypropylene

BLOWERS

Quantity: 2
Type: Motorized impellers (backward-inclined)

ELECTRICAL REQUIREMENTS

120 VAC, 60 Hz, 0.6 A, 72 W
Cord Set: 48" (1219 mm) with ground

CONTROLS

Low voltage dry contact (24VAC) for:

- Fan interlock (NO and NC)
- Digital Multifunction Control (P/N: 611242)

Low voltage (24VAC) for:

- Mode Control (Recirculation) (P/N: 611230)
- Humidity Control (P/N: 611224)
- Speed Control (Low/Intermittent/High) (P/N: 611229)
- 20/40/60 Minute Timer (P/N: 611228)

FROST CONTROL

- Automatic timed recirculation, fifth port
- Cycles controlled by a temperature sensor when outdoor temperature drops below 23°F (-5°C)

FILTERS

Quantity: 2
Type: MERV 6 (P/N: 612409)

WARRANTY

Core Assembly: Limited lifetime warranty
All Other Covered Components: Limited 5-year warranty

APPROVALS

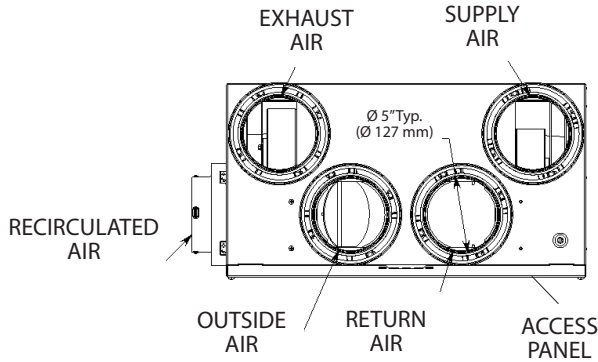
Meets Standards:

- C22.2 no113 and UL 1812
- ENERGY STAR® qualified (Canada)

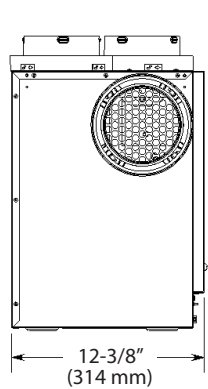


Dimensions

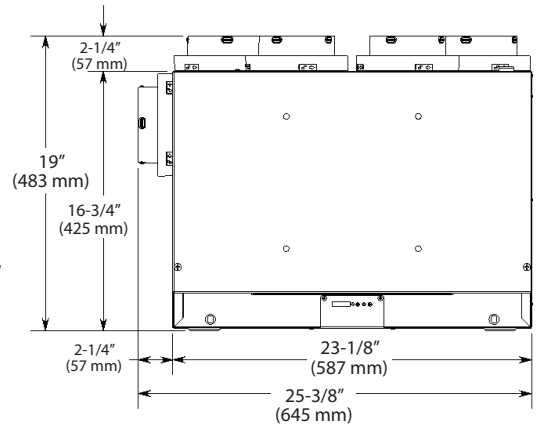
TOP VIEW



SIDE VIEW

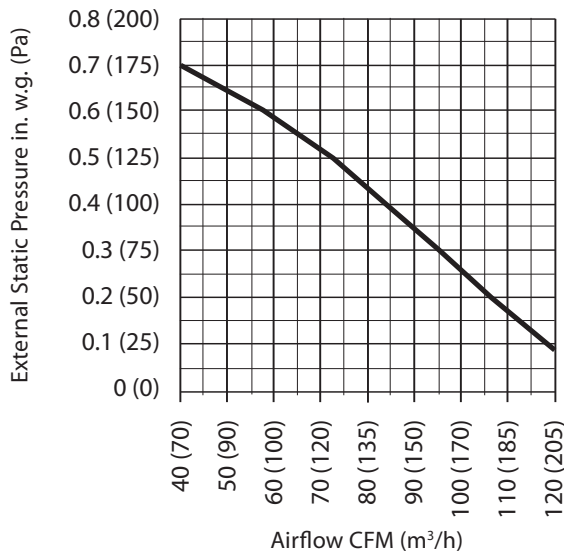


FRONT VIEW



Performance

H95-TRG Ventilation Performance



Recovery Performance

Supply Temperature		Net Airflow		Power Consumed (W)	Sensible Recovery Efficiency	Apparent Sensible Effectiveness
°F	°C	CFM	L/s			
32	0	52	25	30	70%	77%
32	0	64	30	32	67%	75%
32	0	90	43	50	63%	69%
-13	-25	68	32	50	60%	79%
-13	-25	69	33	50	58%	81%



Project:		Architect:	
Location:		Engineer:	
Model #:		Contractor:	
Quantity:		Comments:	
Submitted By:			
Date:			

© 2015 American ALDES Ventilation Corporation. Reproduction or distribution, in whole or in part, of this document, in any form or by any means, without the express written consent of American ALDES Ventilation Corporation, is strictly prohibited. The information contained within this document is subject to change without prior written notice.